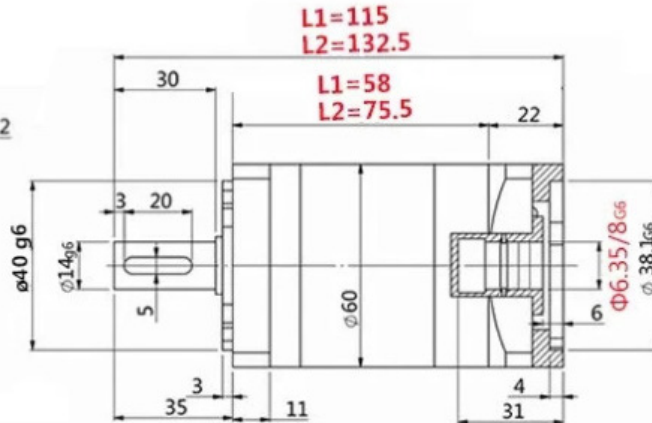
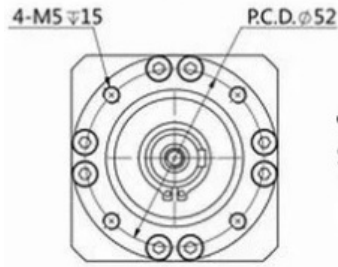


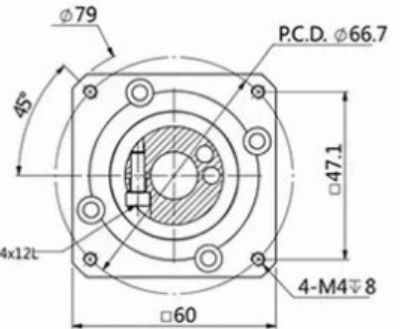
# PLE060 Series Nema 23 Planetary Gearbox

## 6.35/8mm Input for Nema23 57 Steeper Motor

### Output

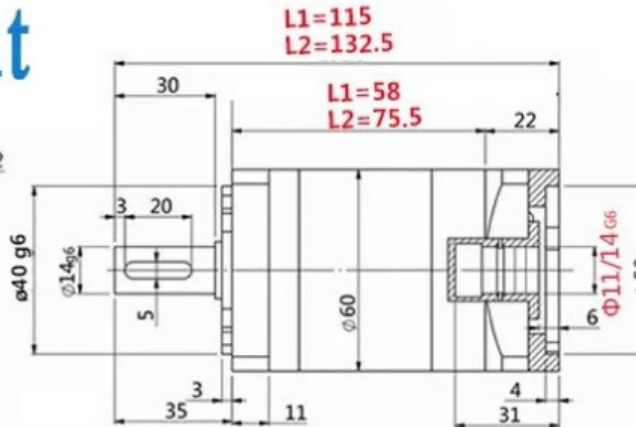
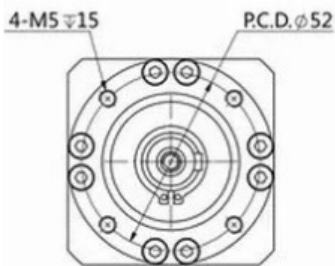


### Input

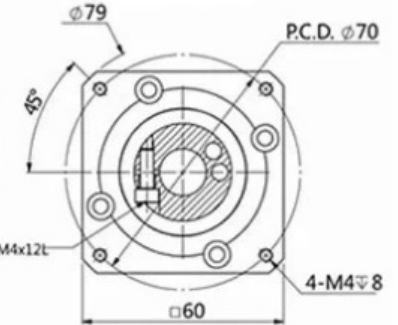


## 11/14mm Input for 60mm Flanged Servo Motor

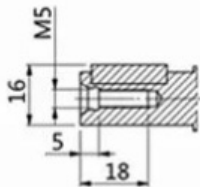
### Output



### Input



## Output Shaft With Key      Speed Ratio



1 Stage (L1): 3:1 / 4:1 / 5:1 / 7:1 / 10:1

2 Stage (L2): 15:1 / 20:1 / 25:1 / 30:1 / 35:1 / 40:1 / 50:1 / 70:1 / 100:1